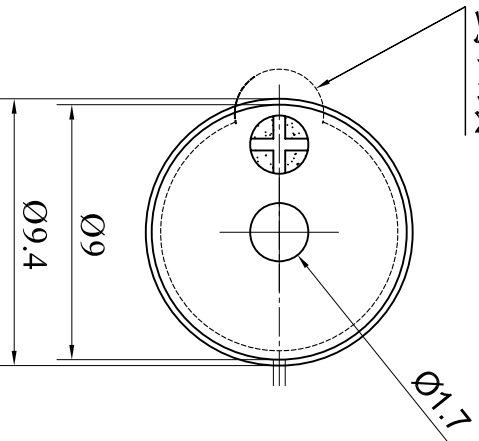
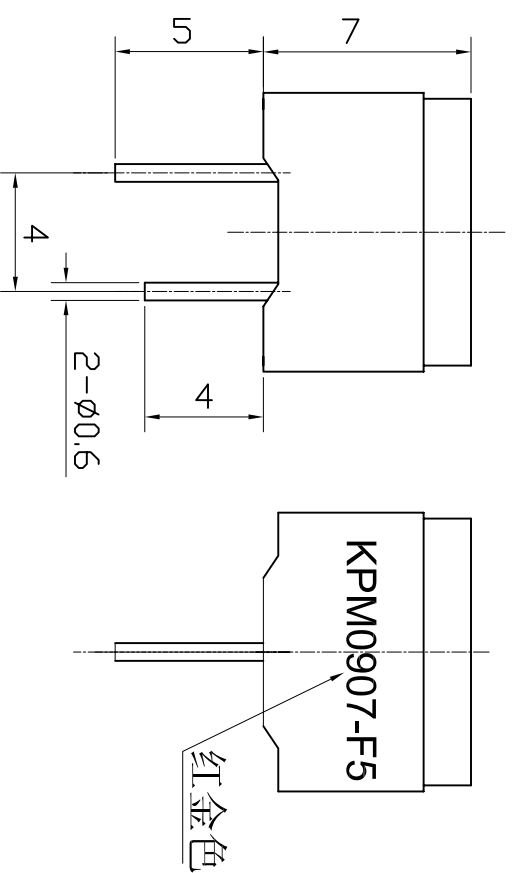


SPECIFICATION

- 1. Rated Voltage 5 V
- 2. Operating Voltage 4~8 V
- 3. Max. Rated Current 40 mA
- 4. Coil Resistance 40±4Ω
- 5. Coil Impedance 80 Ω
- 6. Min. Sound Pressure Level 85dB/10cm
- 7. Resonant Frequency 3200Hz
- 8. Shell Material..... PBT
- 9. Operating Temperature -20~+70°C
- 10. Store Temperature -30~+80°C
- 11. Weight 1g



No.		DESCRIPTION		MENDER		DATE	
TOTAL ANGLES IN INCHES		APPROVALS		LHJ		07.11.26	
NOT TO OTHERWAYS		DRAWN		CHECKED		APPROVED	
XXX #		LHJ		07.11.26		07.11.26	
90° ANGLES ±1°		DRAWN		CHECKED		APPROVED	
FIRST ANGLE PROJECTION		DRAWN		CHECKED		APPROVED	
UNIT		SCALE		DRAWING NO.		SHEET	
mm		NOT TO SCALE		KPM09A5		OEM2941	
VER. 1.0		SCALE		DRAWING NO.		SHEET	

KEPO NINGBO KERO ELECTRONIC CO.,LTD
<http://www.chinacoustic.com>

Magnetic Buzzer QUARTZ
 KPM09A5

OEM2941

VER. 1.0